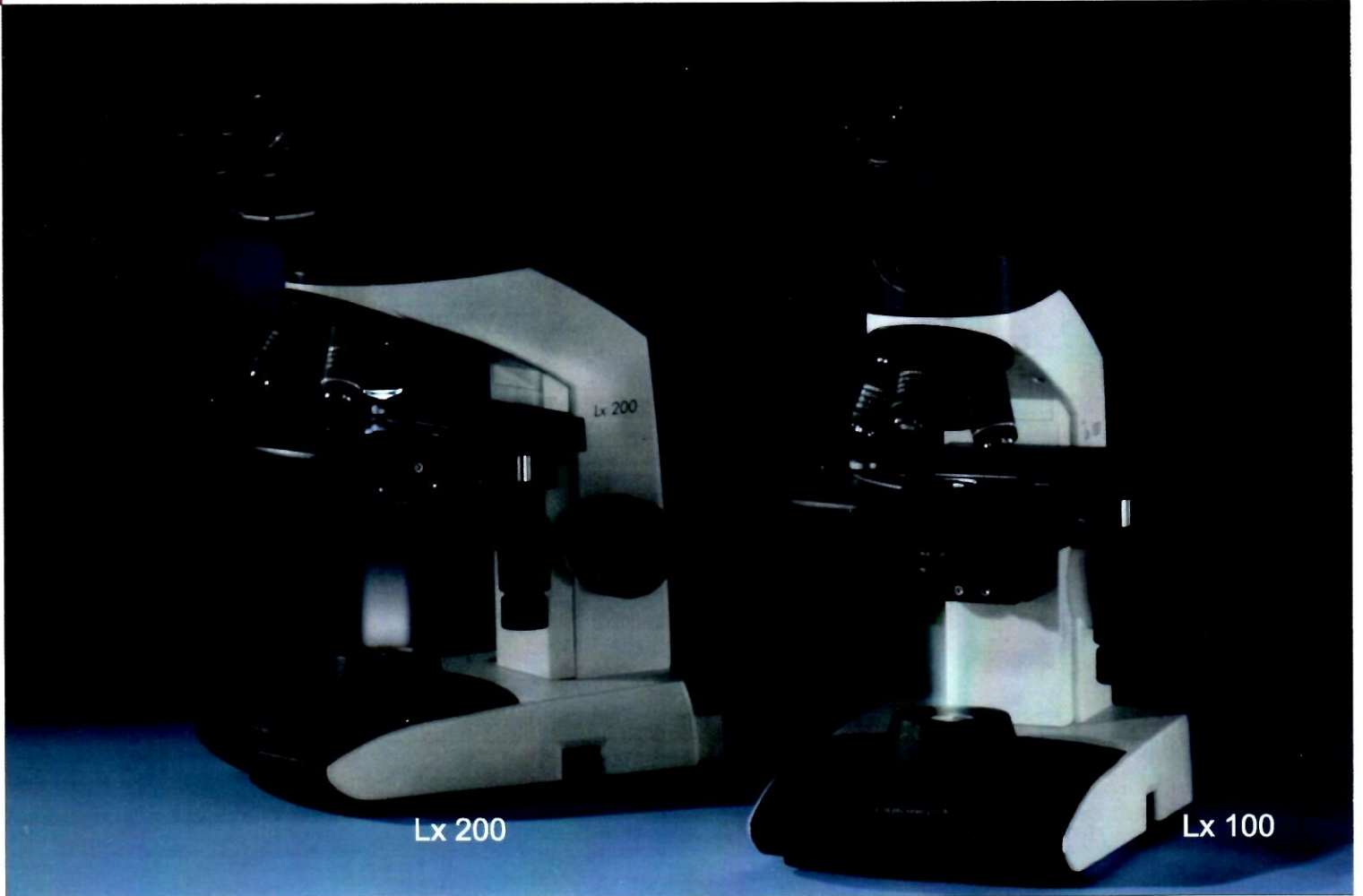


Lx 100  
Lx 200

Lab Microscopy

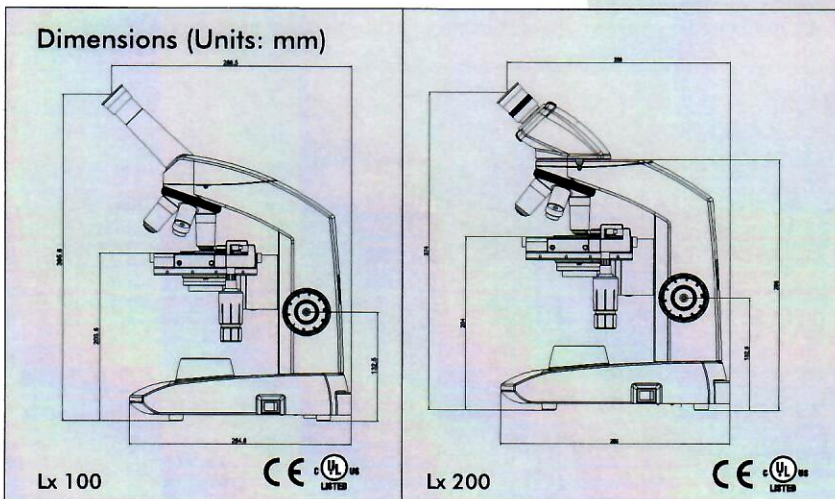


**LABOMED®**   
ideas for vision

## Lx 100/Lx 200 Lab Microscopy

Specifications

Specification	Description
- Stand	Single mold sturdy stand with anti-rust materials. Extended base for better stability. Comfort pad covers
- Viewing Body	Monocular (Lx100) or Binocular (Lx200) viewing body, 45° inclined, 360° rotatable dovetail
- Eyepiece	Wide field eyepiece 10x/18mm with foldable eye guard, lockable, antifungal
- Nosepiece	Quadruple nosepiece (ball bearing type) with rubber grip
- Objectives	LP series DIN Semi Plan Achromatic objectives 4x, 10x, 40x (spring loaded), 100x (spring loaded, oil), anti fungal
- Mechanical stage	Rectangular stage size 135 x 124mm, X/Y travel range 76mm x 50mm. Low drive movement controls, single specimen holder
- Condenser	Sub stage Abbe condenser NA 1.25 with aspheric lens. Iris diaphragm with snap-in frosted white filter. Rack and pinion movements on metal guides
- Focusing	Co-axial coarse and fine focusing on ball drive system for smooth operation. Fine drive movement 0.2mm/rotation
- Illumination	LED illumination with variable illumination control. Upto 100,000 hours of LED life
- Electricals	Universal input 100V - 240V AC, 50/60Hz. Built-in voltage stabilizer



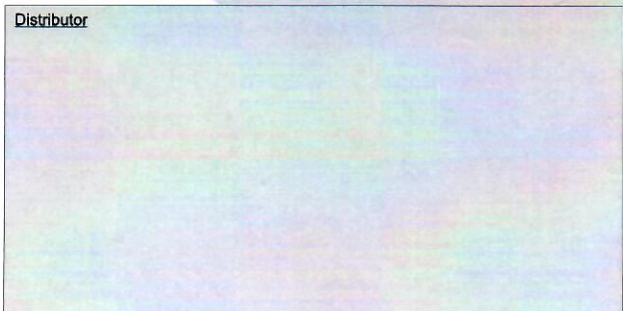
### Configurations

Description	Configuration	Cat. No.
Lx 100 Monocular	3 objectives (4x, 10x, 40x)	5031000
Lx 100 Monocular	4 objectives (4x, 10x, 40x, 100x)	5032000
Lx 200 Binocular	4 objectives (4x, 10x, 40x, 100x)	5033000

†LED version is with rechargeable battery

\*All optical components are made of environment friendly LEAD free optical glass. All painted surfaces are with anti-microbial properties.

N. K. Jain Instruments Pvt. Ltd.  
 15, Industrial Estate, Ambala Cantt - 133 006  
 Haryana (INDIA)  
 info@labomedindia.com  
 www.labomedindia.com  
 Ph.: 91-171-2699015, 2699315  
 Fax: 91-171-2699316



With a policy of continuous development, LABOMED reserves the right to change design and specifications without prior notice.